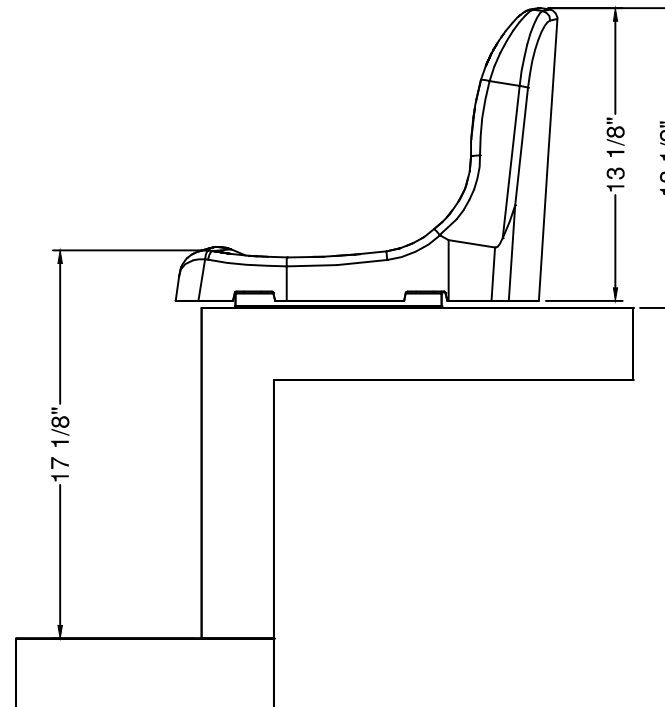
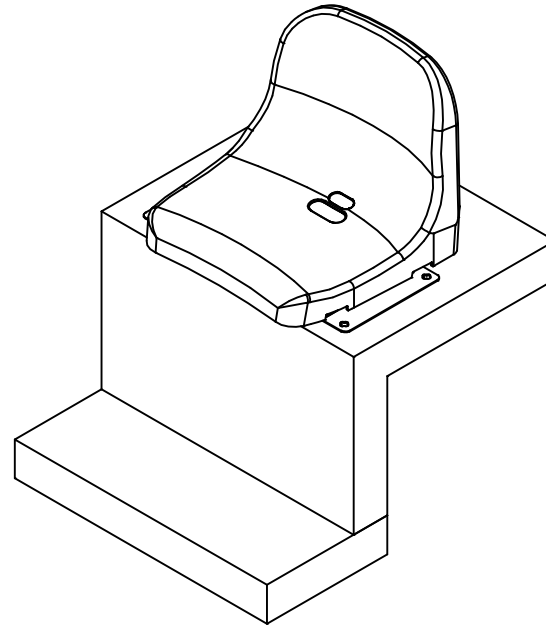
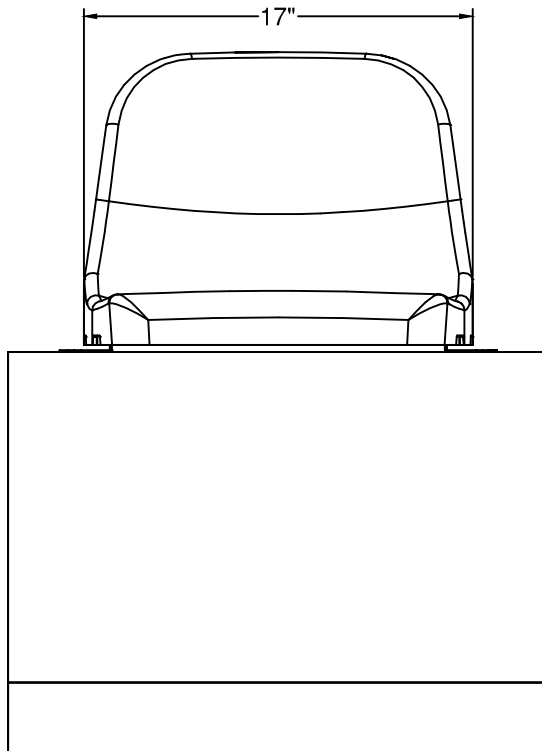
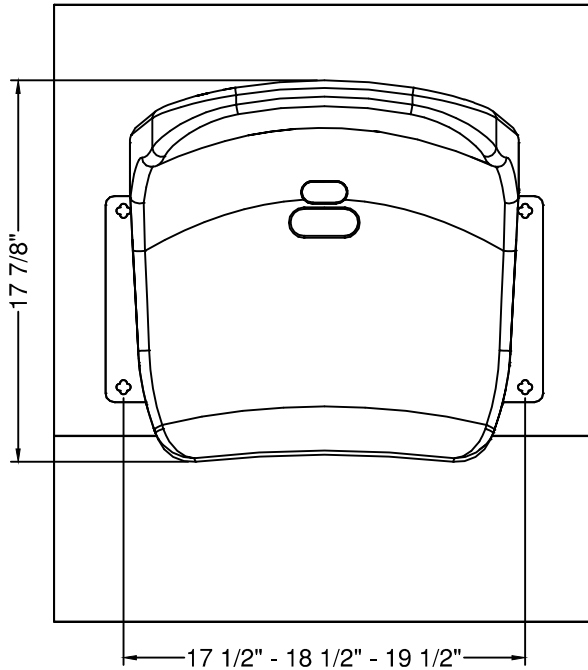


GIOVANNI SHELL



SPECIFICATIONS & DESCRIPTIONS

CONFORMED BY A SHELL (BACK AND SEAT) INTEGRATED IN ONE SOLE PIECE, WITH DOUBLE BODY AT BACK. THE SHELL HAS A HOLE AT SEAT TO ALLOW LIQUIDS DRAIN AND TRANSPiration WITH AN ELLIPTIC SPACE AT SEAT IN LOW LEVEL TO ALLOW THE IDENTIFICATION NUMBER. IT IS MANUFACTURED WITH HIGH IMPACT INJECTED POLYPROPYLENE WITH COLOR PIGMENT AND OUTDOORS ADDITIVES LIKE ANTI-STATIC AND UV RAYS; THE SURFACE HAS 3/16" THICKNESS AND 8 ANCHORING POINTS LOCATED AND DISTRIBUTED AT THE STRUCTURE CONTACT ZONE FOR ITS FIXING.

THE SHELL PROVIDES ANATOMIC AND ERGONOMIC SHAPE TO GIVE MAXIMUM COMFORT.

SHELL GENERAL GAUGES

FRONT: 17"
DEPTH: 17 7/8"
HEIGHT: 13 1/2"

INSTALATION DISTANCE

17 1/2"
18 1/2"
19 1/2"

STRUCTURE:

CONFORMED BY 2 BRACKETS IN CANAL FOLDED IN "Z" SHAPE IN STEEL SHEET GAUGE 14 FOR FLOOR MOUNTING.

ALL METAL PARTS ARE WELDED WITH MICRO WIRE WELDING WITHOUT SCUMB.

FINISHING

THE STRUCTURE PREVIOUSLY DEGREASED AND PHOSPATIZED IS PAINTED WITH POLYESTER THERMOPLASTIC MICRO PROCESSED EPOXIC PAINT AND OVEN AT 200°C IN ELECTROSTATIC EQUIPMENT.

THE SHELL FIXING TO THE STRUCTURE IS DONE BY 8 SCREWS WITH HEXAGONAL HEAD WITH STAR TYPE WASHER WITH GALVANIZED FINISHING.

THE SHELL IS DELIVERED IN CARTON BOXES WITH THE NECESSARY PROTECTIONS.